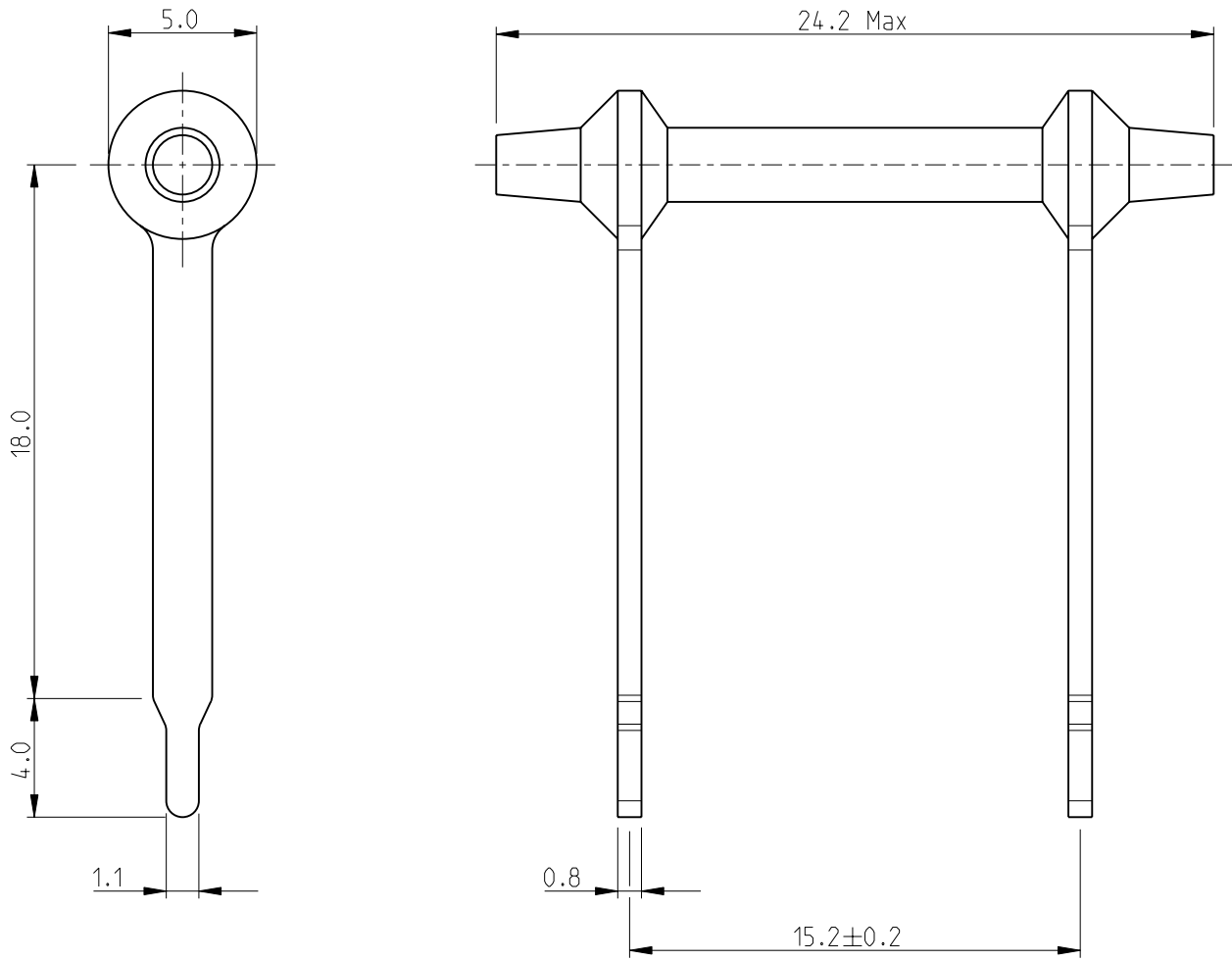
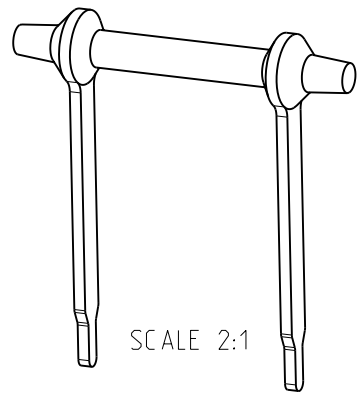


LOC	DIST	REVISIONS					
E	B	P	LTR	DESCRIPTION	DATE	DWN	APVD
		BA1		REVISED PER ECO-11-005150	29MAR2011	RK	HMR


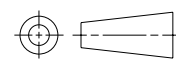


FOR FURTHER INFORMATION SEE DATA SHEET FOR SERIES FC- HIGH POWER RESISTORS

RoHS Compliant



2009
 RELEASED FOR PUBLICATION
 ALL RIGHTS RESERVED.
 BY -
 COPYRIGHT 2009
 THIS DRAWING IS UNPUBLISHED.

DIMENSIONS: mm	DWN	SUBHASH.M	05-AUG-09	MATERIAL	-	FINISH	-
	CHK	ALLAN.P	05-AUG-09	 TE Connectivity			
TOLERANCES UNLESS OTHERWISE SPECIFIED:	APVD	STEPHEN.P	05-AUG-09				
0 PLC ± 0.5	PRODUCT SPEC	-	NAME				HIGH POWER RESISTORS
1 PLC ± 0.2	APPLICATION SPEC	-	SERIES FCB4 (HIGH PROFILE STANDOFF)				
2 PLC ± 0.1	WEIGHT	-	SIZE	CAGE CODE	DRAWING NO	RESTRICTED TO	
3 PLC ± -			A 4	00779	© = 1623714	-	
4 PLC ± -			CUSTOMER DRAWING				
ANGLES ± 5°			SCALE	4:1	SHEET	1 OF 1	
					REV	BA1	